

# Technical Data

## Microphone DM90

### Features

SecureStreamTechnology (SST)

*Digital radio transmission technology patented by Comfort Audio*

Multiple Bluetooth Profiles

Two different Microphone Modes: Omnidirectional and Zoom

Wide Dynamic Range

Large Audio Bandwidth

Configurable Max volume level

Selectable Fix volume level

Extreme low radio transmission time delay

Secure against eavesdropping

Device pairing, controlled by the user

Very high immunity against EMI, Electromagnetic interference

Easy navigation through the colour display



### General Data

<b>Type:</b>	Digital Microphone
<b>Dimensions:</b>	L= 97 x W=41 x H 17 mm
<b>Weight :</b>	57 g
<b>Connections:</b>	Mic, Line in, Headphones, neckloop
<b>Menu languages:</b>	ENG, FR, ES, PT
<b>Display:</b>	Colour

### Radio Performance

#### SecureStreamTechnology (SST):

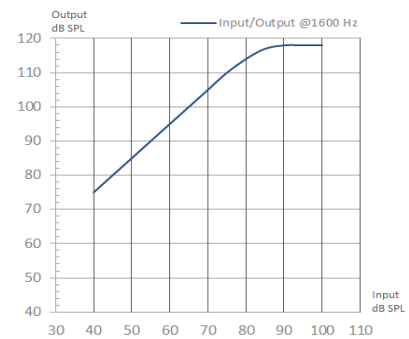
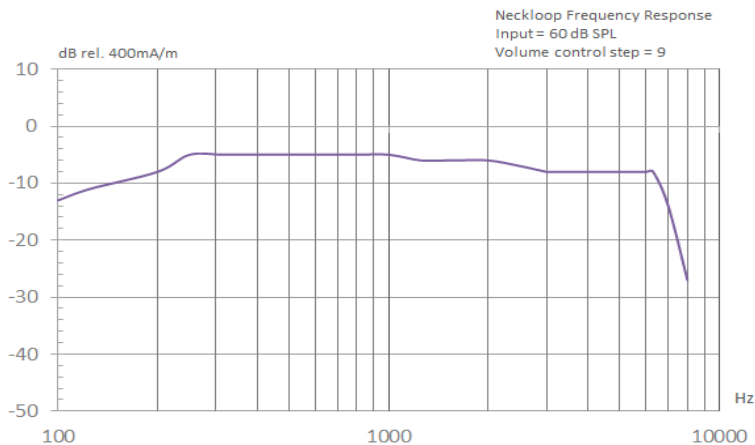
<b>Frequency Range RX and TX:</b>	904 - 927 MHz
<b>RF power output:</b>	Max 10 mW
<b>Radio Bandwidth:</b>	400 KHz
<b>Transmission time delay:</b>	0.3 ms
<b>Modulation method:</b>	FSK, SST
<b>Antenna:</b>	Built in
<b>SST Range:</b>	30 m (100 ft)

### Audio Performance

<b>Dynamic range:</b>	60 dB
<b>Audio bandwidth:</b>	100 - 7000 Hz
<b>Total Harmonic Distortion:</b>	< 1%
<b>Max. Magnetic field strength:</b>	+9 dB rel. 400 mA/m

### Bluetooth technology

<b>Bluetooth protocol:</b>	Version 2.1
<b>Supported Profiles:</b>	Handsfree Profile (HFP), Headset Profile (HSP), Advanced Audio Distribution Profile (A2DP)
<b>RF power output:</b>	Max 10 mW
<b>Bluetooth range:</b>	20 m



# Technical Data

## Microphone DM90

### Power Mangement

#### Charger Unit

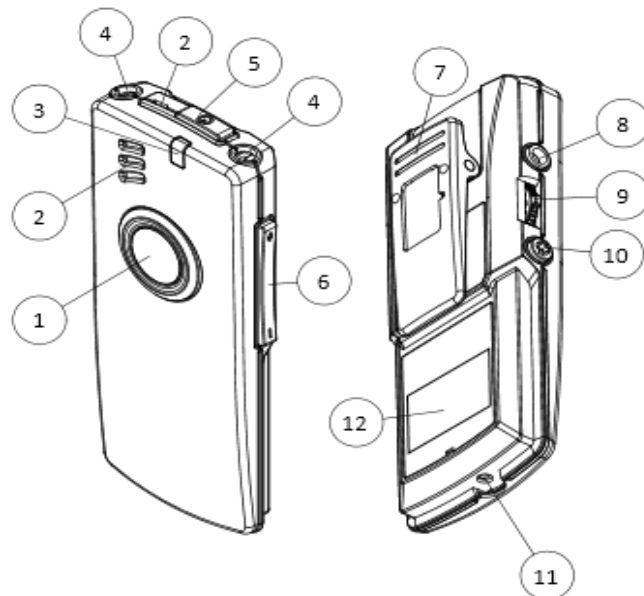
Type:	FW7600/05
Operating voltage:	100-240V AC/ 50-60Hz
Output voltage:	5V DC
Output Current:	650 mA

#### Battery

Battery type:	Lithium Polymer 3.7 V DC
Battery capacity:	650 mAh
Operating time:	9 hours
Charging time:	Approx. 3 hours

### Overview

1. Answer Button
2. Microphones
3. Function indicator
4. Neckloop outputs
5. Power button
6. Volume button
7. Clip
8. Aux input and output
9. Menu controller
10. Pairing button
11. Charger input
12. Display



### Standards

General requirements:	EN 12 182
Consumer radio microphones:	EN 301 357-2
Electromagnetic compatibility:	EN 301 489-9
Medical electrical equipment:	EN 60601-1-2
ERM, Short Range device:	EN 300 220-2
Electrical Safety requirements Audio:	IEC 60065